

**PH-CT-500**  
**Alkaline Water Processing Unit**

**INSTALLATION**

Page 2

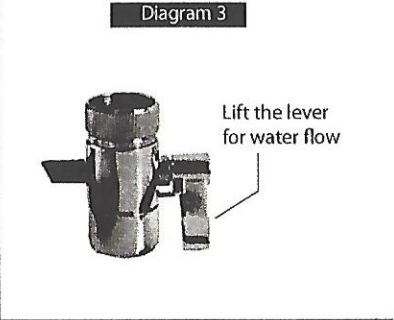
E. Divert the water flow by lifting the lever on the diverter body. (See Diagram 3) It will take a few seconds before water will flow through the filter and the spout. This will flush away any carbon fines. To insure all the air trapped in the unit is released, you may pick up the unit and gently shake it while the water is running.

**Maintenance Free**

This model does not require maintenance.

The actual length of time this filter will effectively remove chlorine and other contaminants will mostly depend on the original quality of the source water, pH and amount of water used.

The Anti-oxidation and alkalization reactions on the water will slowdown after 3,000 gallons of water have been processed by this product



F. Allow water to run until water is clear ( 5 to 10 minutes) The filter is now ready for use.

**Recommended Use**

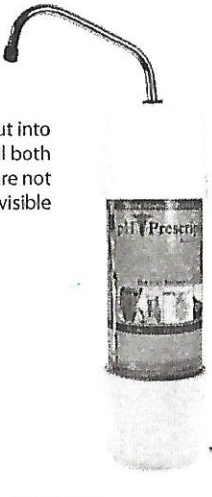
This is a bacteriostatic water processor designed to remove contaminants that affect the taste, odor and color of the water.

- Temperature: Only cold water ( 85 F / 29.4 C )
- Municipal treated water
- Recommended Flow: 0.5 gpm  
Increased flow will reduce the unit effectiveness
- Max capacity 3,000 Gallons



*Disclaimer:*  
 The statements herein have not been evaluated by the Food and Drug Administration. The products mentioned are not intended to diagnose, treat, cure or prevent any disease. Information and statements made are for educational purposes and are not intended to replace the advice of your doctor.

**PH-CT-500**  
**Alkaline Water Processing Unit**



**Parts List:**

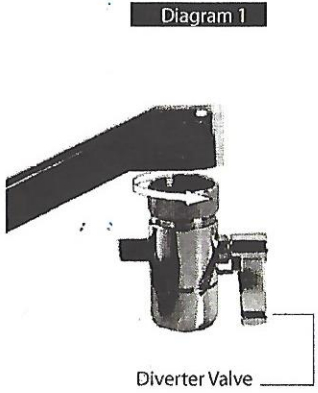
- 1 Sealed Filter Cartridge Housing with faucet
- 1 Faucet diverter valve with tubing
- 2 Adapter rings
- 2 Rubber washers
- 1 sediment pre-filter with tubing

Push Spout into the unit until both O Rings are not visible

**INSTALLATION**

Page 1

- A. Remove existing aerator from end of faucet.
- B. Connect diverter valve to faucet. See diagram 1  
If an adapter ring is needed, choose proper adapter ring and washer, install them to faucet.



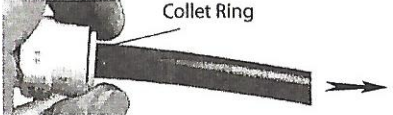
- C. Attach the free end of the tubing to the water filter by pushing the tubing into the "quick connect" fitting at the bottom of the unit (Make sure tubing is pushed in as far as it can go). See diagram 2

**Diagram 2**  
**Plastic Quick Connect Fitting**

Cut the tube square and push past the O-ring to the tube stop. Tube is secured in position



Disconnection is just as easy: Push collet ring against body of fitting and slide tube out of fitting



Then, install the diverter valve. Diverter valve should be tightened by hand only. Do not use any tools.

- D. Place unit so that the spout is facing towards the sink. Turn on main faucet (Cold water only!).